



2022 DODGE RAM 3500 QUICK ATTACKS - BRUSH - RESCUE

Crew Cab (4 Doors), (5) Passengers 4x4, Gas HEMI Engine

Made in USA

VIN #: 3C7WRTCJ0NG213199
Model: 2022 (NEW)
Family: Ram 3500
Miles: 12 (NEW)
Engine: 6.4L V8 Heavy Duty HEMI Engine 370 HP - 229 Ft. Lbs Max Torque 429
Transmission: Automatic 6-Spd Auto AISIN
Body Model: 8L93 – 4WD 172.4
Trim: TX – HD Vinyl 40/20/40 Split Bench Seat
Tire: LT235/80R17E BSW All Season Tires
17" 8 Lug Bolt Stainless Steel Wheel Cover Simulator Liners
Wheelbase: 172.4"
Alternator: 220 Amp.
Battery: 730 Amp. Free Maintenance
Factory Warranty: 3 year - 36,000 mile Factory Bumper to Bumper
5 year - 60,000 Factory Powertrain Warranty
Equipped: Power Windows & Locks, Push Button Start, Keyless Entry, Cruise Control, Heavy Duty Vinyl Seats, Black Vinyl Floor Covering, Uconnect 3.0 AM/FM w/ Bluetooth, Sirius Satellite Radio, Clearance Lamps, Fog Lamps, Trailer Brake Control, Tow Hooks, Snow Plow Prep, and Customer Preferred Package 2GA. Also included in the sale price is a Knapheide 9 Foot Service Box with Receiver and Plug.

FEATURES:

- Bright White Clear Coat
- Bumper Module II
- Grille Module
- Center Console Parts Module
- Headliner Parts Module
- Seat Parts Module
- Instrument Panel Parts Module
- Door Parts Module
- Front End Parts Module
- Tire & Wheel Parts Module
- Clearance Lamps
- Automatic Headlamps
- Man Shift-On-The-Fly Transfer Case
- Daytime Running Headlamps, Low Beam
- Build To U.S. Mkt. Specifications
- Delete Front License Plate Bracket
- Anti-Spin Differential Rear Axle
- Conventional Differential Frt Axle
- Chrome Headlamp Bezels
- GVW Rating - 13500#
- Heavy Duty Engine Cooling
- Uconnect 3.0
- Black Door Handles
- Base Equipment Group
- 52 Gallon Rear Fuel Tank
- 120 MPH Primary Speedometer
- 'Why Buy' Label

INDUSTRY EQUIPMENTS Inc.



INDUSTRY EQUIPMENTS Inc. - USA

- Incomplete Vehicle
- Active Grille Shutters
- Front Wheel Well Liners
- Front Air Dam
- DD/6340 Vehicle Family
- Four Wheel Drive (4WD)/(4X4)
- Driver/Passenger Assist Handles
- 12V Auxiliary Power Outlet
- Power Accessory Delay
- Auxiliary Switches - I/P Mounted
- Crew Cab
- U.S. Dealer Retail
- Accent Color Shark Fin Antenna
- 730 Amp Maintenance Free Battery
- 172.4" Wheelbase
- Anti-Lock 4-Wheel Disc Brakes
- 6 Speakers
- Media Hub-2 USB, Full Funct, Aux
- Remote USB Port - Charge Only
- Ready Alert Braking
- 3500 Series
- Price Class L
- 2022 Vehicle Specifications
- Vehicle Information Center
- Headlamp Off Time Delay
- Speed Control
- Tow Hooks
- Power Steering
- Var Intermittent Windshield Wipers
- 4-Spoke Steering Wheel
- Electronic Stability Control
- Dual Note Electric Horns
- Front Heavy Duty Shock Absorbers
- Vehicle Order Tracking
- Rear Heavy Duty Shock Absorbers
- I/P Bezels-Painted
- Cluster 3.5" TFT B&W Display
- Pwr Front Windows, 1-Touch, Up & Down
- Speed Sensitive Power Locks
- Tinted Windshield Glass
- Tilt Steering Column
- Black Vinyl Floor Covering
- Stationary Elevated Engine Idle
- Electronic Range Select
- Electronically Controlled Throttle
- Tip Start
- 7 Pin Trailer Wiring Harness
- Upfitter Electronic Module (VSIM)
- Job Rated
- Instrument Cluster Theme 1 (Base)
- Delete Pickup Box
- Tinted Glass Windows
- Rear Fixed Window
- Spare Tire
- Front Height Adjust Shoulder Belts
- Monotone Paint
- Advanced Multistage Front Air Bags
- Front Stabilizer Bar
- Rear Heavy Duty Stabilizer Bar
- Passenger Side Sun Visor w/Mirror
- "RAM" Door Badges
- "RAM" Grille Badge
- Ram 3500 Badge
- Air Conditioning
- Non Adjustable Pedals
- 4.10 Axle Ratio
- Rear Underseat Compartment Storage
- No Underseat Storage
- Sentry Key Theft Deterrent System
- Base Door Trim Panel
- Pushbutton Start
- Rear View Day/Night Mirror
- Rotary Shifter-Black
- U.S. Specifications Label
- English/USA Language
- Dash Liner Insulation
- Floor Tunnel Insulation

OTHER:

- Map/Courtesy Lamp
- Overhead Cupholder Lamp
- Rear Dome Lamp
- Front Fog Lamps
- Cargo and CHMSL Lamp
- Halogen Quad Headlamps
- Bright Front Bumper
- Grille-Matte Black Mesh w/Chrome

INDUSTRY EQUIPMENTS Inc.

1040 Homeland Garfield Rd. Bartow, FL 33830 USA Tel. 1-727-577-8139
info@industryequipments.com www.industryequipments.com www.youtube.com/shposso



INDUSTRY EQUIPMENTS Inc. - USA

- 205MM HD Front Axle
- NAFTA Region
- United States Region Group
- 6.4L V8 Heavy Duty HEMI Engine
- 6.0 Additional Gallons of Gas
- Customer Preferred Package 2GA
- All Automatic Transmissions
- All Vehicles W/Power Mirrors
- All Steel Wheels
- Customer Preferred Package 2TA
- 50 State Emissions
- 102 MPH Maximum Speed
- Nexen Brand Tires
- All Radio Equipped Vehicles
- All VP1 Radios
- Saltillo Truck Assembly Plant
- Grille-Surround Chrome
- 220 Amp Alternator
- Key Fob - Black
- Door Sill Scuff Pads
- Glove Box
- USB Host Flip
- Audio Jack Input for Mobile Devices
- Remote USB Port
- Integrated Voice Command W/Bluetooth
- Spring - Left Front
- Spring - Left Rear
- Spring - Right Front
- Spring - Right Rear
- Heavy Duty Snow Plow Prep Group
- Bulb Out Detection Defeat For LED
- Chrome Appearance Group
- 17X6.0 Steel Chrome Clad Wheels
- Manuf Statement of Origin
- 4X4 Tracking
- Waterbase Paint
- SiriusXM Radio Service
- Sales Tracking
- Black/Diesel Gray
- HD Vinyl 40/20/40 Split Bench Seat
- Power Black Trailer Tow Mirrors
- Driver Seat - Manual Adjust 4-Way
- Center Hub
- Auxiliary Transmission Oil Cooler
- Transfer Case Skid Plate Shield
- Trailer Brake Control
- Electronic Shift
- Frt Pass Seat - Manual Adjust 4-Way
- Ext. Mirrors w/Supplemental Signals
- Exterior Mirrors Courtesy Lamps
- Trailer Tow Mirrors
- Black Exterior Mirrors
- Mirror Running Lights
- Exterior Mirrors w/Heating Element
- LT235/80R17E BSW All Season Tires
- Front Armrest w/Cupholders
- Driver & Passenger Headrest
- Dual Rear Wheels
- Bright Wheel Skins
- Power 2-Way Driver Lumbar Adjust
- Bright White Clear Coat
- Rear Folding Seat
- 2 Way Rear Headrest Seat
- Hemi Badge
- Overhead Console
- 6-Spd Auto 8HP75-LCV Transmission
- Storage Tray
- 11.50" Dual Wheels Rear Axle
- Remote Keyless Entry
- Westin 57-93555 HDX Black Winch Mount Grille Guard & 12.000 Winch

PAINT:

Exterior Color: Bright White C/C (PW7)
Touch-Up Paint: Bright White C/C (GW7)
Paint Stick: Part No. 04889598AB

INDUSTRY EQUIPMENTS Inc.

1040 Homeland Garfield Rd. Bartow, FL 33830 USA Tel. 1-727-577-8139
info@industryequipments.com www.industryequipments.com www.youtube.com/shposso



INDUSTRY EQUIPMENTS Inc. - USA

FIRE UNIT:

- 18 HP Vanguard Skid Unit (Gas) Fuel Line hook to the truck
- 250 Gallon Poly Tank
- 265gpm at 50psi 190gpm at 100psi 15gpm at 150psi 45gpm at 200psi.
- 10 Gallon drop in Foam Cell
- Scotty Foam System w/Hardware for Foam Cell
- Lighted Control Panel

- Manifold Outlet
- Tank Fill 1" w/Industrial Ball Valve
- Manifold 1.5" inc (1-1/2" Industrial Ball Valve service line with Cap and Chain)
- Manifold 2.5" inc (2-1/2" Industrial Ball Valve service line with Cap and Chain)
- Suction Inlet
- Standard Suction with 2-1/2" Industrial Ball Valve
- Electric Rewind Hose Reel 1" x 150' EF20-30-31-LT Ship Loose
- Set of Chrome Outriggers w/3 way rollers
- Rubber Hose 1"

BODY: 9 Ft KNAPEHEIDE STEEL SERVICE UTILITY BODY

COMPARTMENT INTERIOR DIMENSIONS:

- (2) W: 33" x L: 20" x H: 37" (Driver & Passenger Side)
- (2) W: 47" x L: 20" x H: 17" (Driver & Passenger Side)
- (2) W: 28" x L: 20" x H: 37" (Driver & Passenger Side)

TOOL BOXES ON TOP:

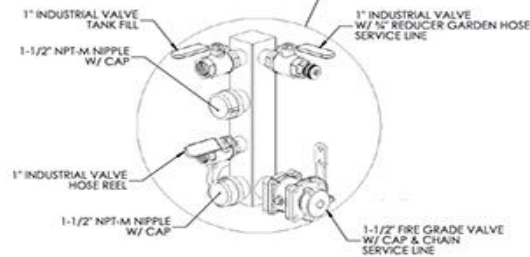
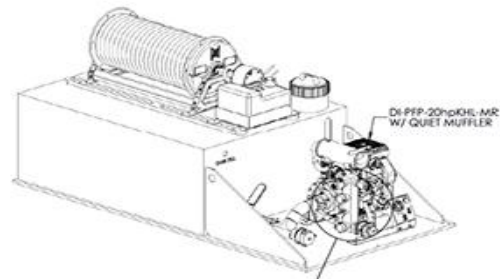
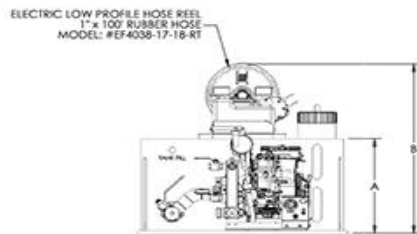
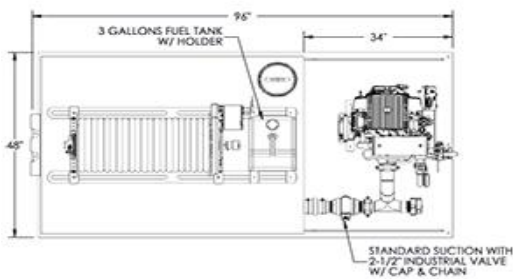
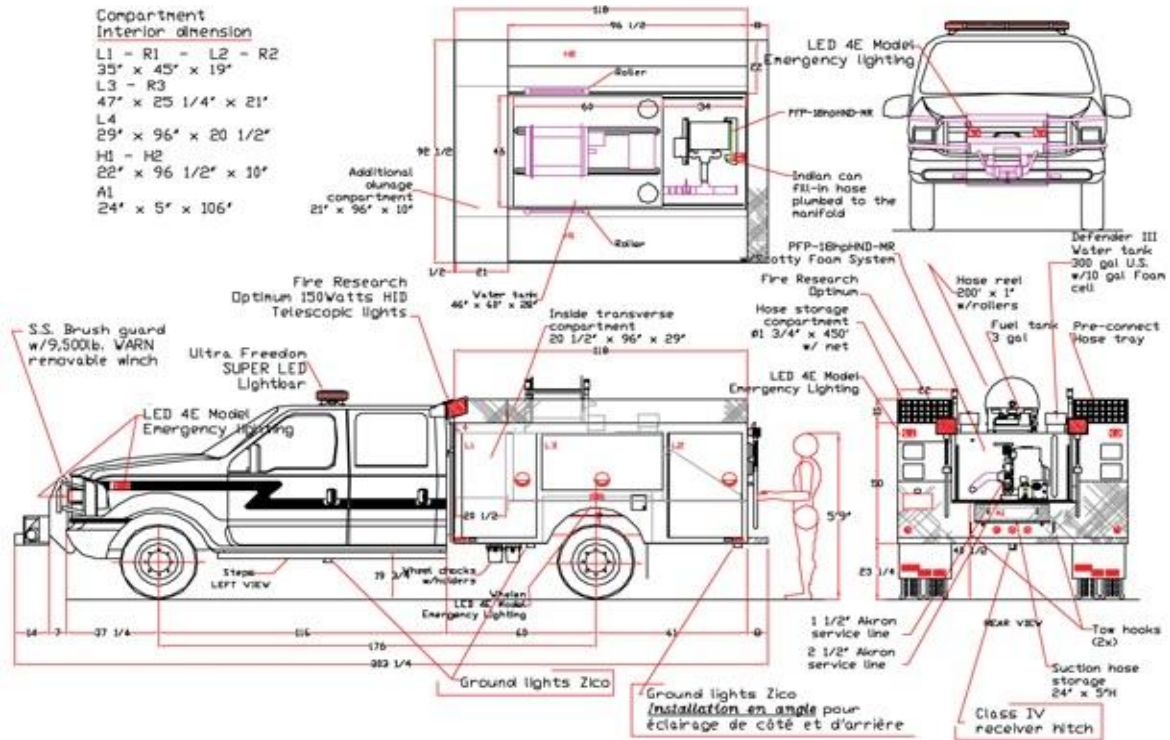
- (2) W: 12" x L: 60" x H: 16" (Driver & Passenger Side) Craftsman Brite Aluminum Top Mount
- (2) W: 12" x L: 48" x H: 16" (Driver & Passenger Side) Lund Brite Aluminum Top Mount

INDUSTRY EQUIPMENTS Inc.

1040 Homeland Garfield Rd. Bartow, FL 33830 USA Tel. 1-727-577-8139
info@industryequipments.com www.industryequipments.com www.youtube.com/shposso



INDUSTRY EQUIPMENTS Inc. - USA



	HEIGHT	
	WATER TANK (A)	OVERALL (B)
200 GALLONS	19-3/4"	39-1/2"
250 GALLONS	24-5/8"	44"
300 GALLONS	29-1/2"	48-7/8"

INDUSTRY EQUIPMENTS Inc.

1040 Homeland Garfield Rd. Bartow, FL 33830 USA Tel. 1-727-577-8139
info@industryequipments.com www.industryequipments.com www.youtube.com/shposso