

# ATLAS Teamwork

AW 240



- powerful drive
- optimal traction
- advanced compaction technology

**ATLAS**  
WEYHAUSEN

## TECHNICAL SPECIFICATIONS AW 240

### Weight

		AW 240
Operating weight CECE	kg	2450
Average axle load CECE	kg	1225

### Compaction performance

Average linear drum load	kg/cm	12.25
Amplitude	mm	0.5
Frequency I / II	Hz	53 / 61
Centrifugal force at Frequency I / II	kN	21.5 / 28

### Drums

Drum width	mm	1000
Drum diameter	mm	750
Drum thickness	mm	12
Lateral drum offset	mm	50

### Drive/Transmission

Speed range	km/h	0-10
Angular movement	°	±12
Gradeability w/w/o vibration	%	30 / 35

### Engine

Model		Deutz
Type		D 2011 L2 i
Output	kW	22.5 (33.6 HP)

### Tank capacities

Fuel capacity	l	50
Hydraulic oil capacity	l	40

### Sprinkler system

Number of water tanks	l	1
Tank capacity		210
Number of pumps		1

### Standard equipment

ROPS roll bar  
 Hydrostatic drive  
 Hydrostatic vibration system at both drums  
 2 centrifugal forces, 2 frequencies  
 Automatic vibration mode, double / single vibration  
 Pressurized interval sprinkler system

### Standard equipment

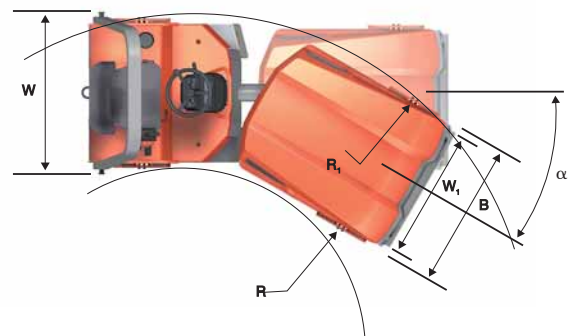
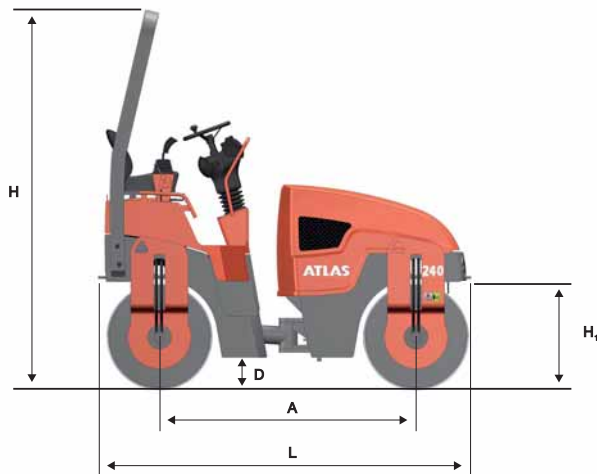
Both drums equipped with spring-loaded brakes  
 Manual emergency stop switch with touch sensitive switch at the seat  
 2 resilient vulcollan scraper blades per drum  
 Spring-mounted driver's compartment  
 4 working headlights  
 Driver's seat with arm rests and safety belt  
 Lockable dashboard

### Optional equipment

Lighting according to Road Traffic Regulations (StVZO)  
 Laterally slidable seat  
 Back up alarm  
 Rotating beacon  
 Edge cutting and pad roller  
 Special color  
 Environmentally friendly hydraulic fluid

### Dimensions (in mm)

	AW 240
Distance between axles	A 1830
Width	B 1180
Road clearance	D 166
Height	H 2720
Drum diameter	H <sub>1</sub> 750
Length	L 2670
Inside turning radius	R 2865
Outside turning radius	R <sub>1</sub> 3865
Working width	W 1050
Drum width	W <sub>1</sub> 1000
Steering angle	α ±30°



Subject to technical alterations.

F.Weyhausen AG & Co. KG  
 Maschinenfabrik  
 Visbeker Straße 35  
 D-27793 Wildeshausen  
 Telephone +49 (0)44 31/981-0  
 Fax +49 (0)44 31/981-225  
 www.atlaswalzen.com

**ATLAS**  
 WEYHAUSEN