

ATLAS Teamwork

AR 85



- Construction trade, recycling, material handling, civil engineering works and road construction
- Operating weight: 6700 kg
- Power: 65 kW

ATLAS
WEYHAUSEN



Engine

Make: Deutz Diesel engine BF4M 2011 C
 Type: oil/water cooled
 Power^{***}: 65 kW (88 hp)
 at 2300 min⁻¹
 Max. torque: 270 Nm at 1600 min⁻¹
 Stroke: 3110 cm³
 Cylinders: 4 in line
 Electrical System: Operating voltage 12V
 Battery 12 V/100 Ah
 Alternator 14 V/80 A
 Starter 12 V/2,3 kW



Drive

- Output regulated hydrostatic drive with pressure cut off and closed circuit acting on all 4 wheels
- Speed with standard tires:
 Operating speed range 0–6,5 km/h
 Road speed range 0–20 km/h
 Optional high speed 0–40 km/h
- 1st and 2nd hydraulic gear can be engaged under load, forward/backward travel also
- Activation of forward/backward travel and speed ranges via ATLAS joystick
- Drive operated by accelerator and separate inching pedal for best distribution of the hydraulic power for thrust and lifting forces



Axles

Rigid axles with planetary reduction gears in the wheel hubs, electrically connecting 100% - differential lock in front and rear axle.



Brakes

Standard brake: Multi-disc brake in oil bath acting on all 4 wheels.
 Supplementary brake function via inching pedal and hydrostatic drive acting on all 4 wheels.

Parking brake: Parking brake as spring-loaded brake acting on all 4 wheels. In case of standstill of engine the spring-loaded brake will be automatically re-activated.



Steering

- Fully hydraulic center pivot steering
- Front and rear wheels follow the same track
- Steering angle 40° to each side, ±12° angular movement in rear of vehicle
- Operating pressure of steering hydraulics 175 bar
- Emergency steering function



Hydraulic system

- Gear pump for loading and steering hydraulics
- Priority valve favoring steering hydraulics
- Lowering brake dependent on load
- Two lifting and tipping cylinders each
- 3rd section serial
- Loading hydraulic hydraulically pre-activated via ATLAS joystick including float position
- Operating pressure 225 bar
- Delivery of pump 75 l/min



Loading equipment

- Powerful and solid Z-kinematics with high tear out force
- Hydraulic quick change device
- Activation of all functions via ATLAS joystick
- Parallel movement while using pallet forks
- Automatic shovel return to excavating position
- Lifting device acc. to German StVZO for road travel

| | |
|----------|-------|
| Lifting | 6,0 s |
| Lowering | 4,1 s |
| Tipping | 1,2 s |



Standard equipment

- Rear driving mirrors, foldable
- Heatable rear screen
- Comfortable access to cab from both sides
- Single lever operation via ATLAS joystick
- Control lights for speed range, forward/backward travel
- Lights acc. to German StVZO for road travel
- Individually adjustable driver's seat with adjustable right arm rest
- Engine oil heating with heat exchange and 4-stage fan
- Front windscreen ventilation, variable output
- Sound absorbing ROPS-cab
- Windscreen wipe and wash unit in front and rear
- Sun visor, coat hook, ceiling lamp, stow facility
- Adjustable steering column
- Heat protection glazing with large tinted screens
- Control lights for engine oil pressure, overheating, hydraulic oil temperature, battery power, parking brake, air filter
- Central dashboard with indicators for preheating, engine temperature, fuel, working hour meter



Options

- 4th section front or rear
- Stability damping system
- Slow drive inching pedal
- High speed version
- Extended lifting frame
- Connection for hydraulic hammer
- Hand throttle device
- Load brake security
- Trailer coupling
- Load check valve for lifting and working

cylinders

- Main battery switch
- Corrosion protection for salt
- Special colors and oils
- Working lights front and rear
- Heatable and air cushioned seats
- Joystick with integrated proportional steering for 3rd section (only ADS)
- Auxiliary heating, comfort cab, canopy-cab
- ATLAS diagnostic system (ADS) for monitoring engine parameters with integrated electronic anti-theft device
- Extra seat
- Radio
- Warning beacon
- Doors with sliding windows right and left
- Anti-theft device with code stick

More options upon request



Tires

Standard:

405/70 R 24 EM – Construction machine tires for clay, sand, gravel, asphaltting, roads, gardening and landscaping

Special tires:

460/70 R 24 XMCL – Construction machine tires for clay, sand, gravel, fields and greenland, fortified roads

More special tires upon request



Fuel/oil capacities

| | |
|----------------|-------|
| Diesel: | 120 l |
| Hydraulic oil: | 75 l |
| Engine oil: | 11 l |
| Front axle: | 4,5 l |
| Rear axle: | 4,2 l |
| Gear oil: | 2,5 l |



Operating data

| | |
|-----------------------------------|--------------------|
| Shovel capacity acc. to SAE: | 1,3 m ³ |
| Track width: | 1640 mm |
| Turning radius | |
| (outer shovel edge): | 4660 mm |
| Tear out force: | 6800 daN |
| Torque: | 5350 daN |
| Tipping load, straight: | 5408 kg |
| Tipping load, articulated: | 4798 kg |
| Lifting capacity at ground level: | 6000 daN |
| Service weight: | 6700 kg |

Differing data for use of pallet forks (500 mm distance to center of gravity)*

| | |
|------------------------------------------------|----------|
| Static tipping load, straight and articulated: | 3925 kg |
| Lifting capacity: | 5100 daN |
| Payload 80% even surface ^{**} : | 3140 kg |
| Payload 60% uneven surface ^{**} : | 2355 kg |

* Travel with load only permitted close to the ground.

** According to ISO 8313 and EN 474-3

*** According to ISO 1585, resp. to EG-RL80/1269/EWG and EG-RL88/195/EWG.

Specific gravity for material handling

| material | weight (t/m ³) |
|---------------------|----------------------------|
| Construction | |
| concrete | 1,9 |
| soil (dry) | 1,5 |
| soil (watery) | 2,0 |
| rock (fill) | 2,4 |
| granite | 1,8 |
| limestone | 1,6 |
| gravel (dry) | 1,9 |
| gravel (watery) | 2,1 |
| loam | 1,7 |
| plaster | 2,2 |
| sand (dry) | 1,9 |
| sand (watery) | 2,1 |
| sandstone | 2,4 |
| shale | 2,2 |
| sediment | 2,1 |
| crushed stone | 1,5 |
| de-icing salt | 1,3 |
| clay | 1,6 |
| cement | 1,7 |
| clinker (stacked) | 1,8 |

Industry

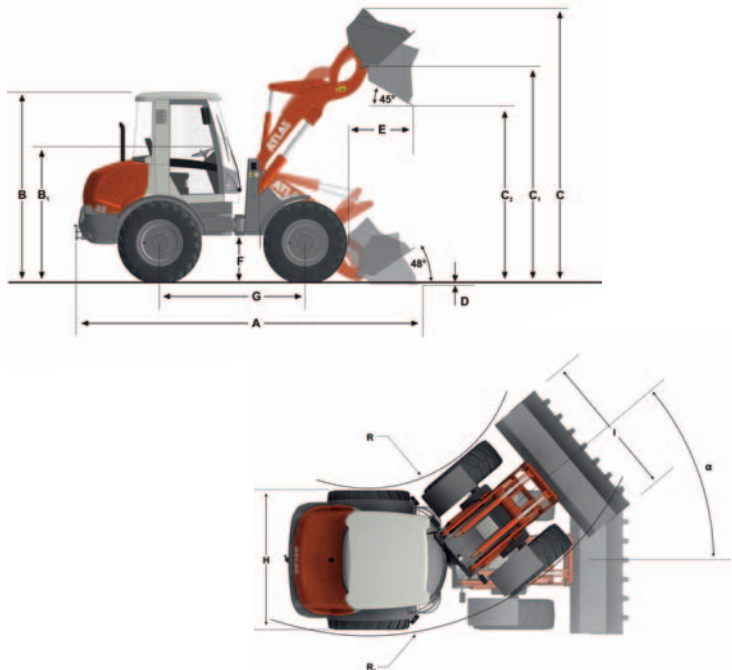
| | |
|----------------------|-----|
| ember | 0,7 |
| brown coal briquette | 0,8 |
| ferrous product | 7,8 |
| iron ore | 2,3 |
| cullet | 1,9 |
| gas coke | 0,4 |
| timber | 0,8 |
| mineral coal | 1,2 |
| paper | 0,9 |
| slag | 1,0 |
| slag concrete | 2,7 |

Landscaping, agriculture

| | |
|----------------------|-----|
| agricultural crop | 0,7 |
| grain | 0,6 |
| hay | 0,3 |
| potash | 1,1 |
| compost | 1,0 |
| flour | 0,5 |
| clay (watery) | 2,3 |
| phosphate fertilizer | 2,2 |
| turf (watery) | 1,1 |
| turf (dry) | 0,4 |
| mineral fertiliser | 1,0 |

Technical data with standard shovel.

| AR 85 | |
|--------------------------|------|
| A | 5650 |
| B | 2800 |
| B ₁ | 2035 |
| C | 4440 |
| C ₁ | 3520 |
| C ₂ | 2700 |
| D | 40 |
| E | 740 |
| F | 510 |
| G | 2280 |
| H | 2050 |
| I | 2250 |
| R | 2072 |
| R ₁ | 4234 |
| All specifications in mm | |
| α | 40° |



Technical data with pallet forks.

| AR 85 | |
|--------------------------|------|
| A | 5750 |
| B | 2800 |
| B ₁ | 2035 |
| C | 3765 |
| C ₁ | 3310 |
| C ₂ | 1605 |
| D | 60 |
| E | 450 |
| E ₁ | 1170 |
| E ₂ | 580 |
| F | 510 |
| G | 2280 |
| H | 2050 |
| I | 1030 |
| R | 2072 |
| R ₁ | 4234 |
| All specifications in mm | |
| α | 40° |

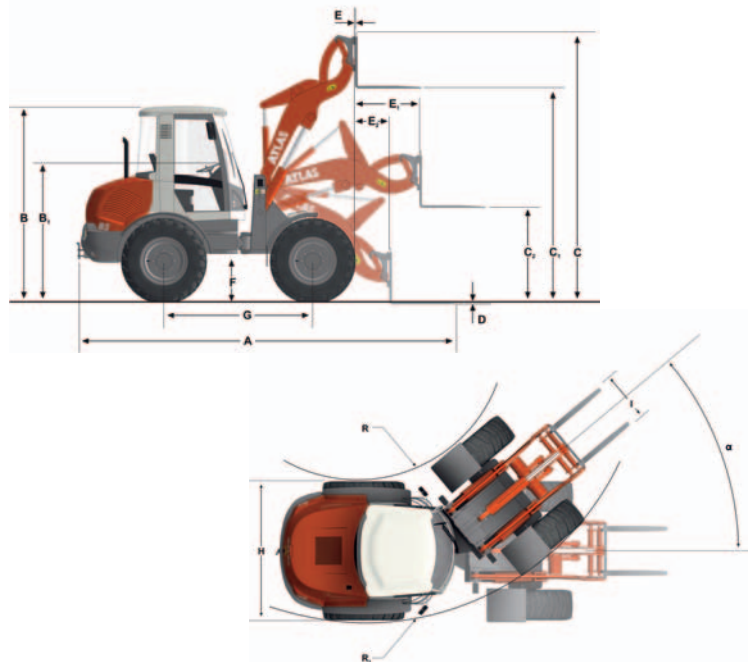
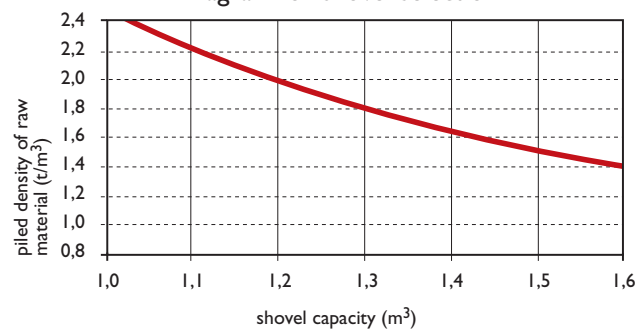


Diagram for shovel selection



ATLAS Teamwork

AR 35/35 Super



Operating weight 2500 kg / 2875 kg
Power 24.6 kW (33.5 HP) / 29.4 kW (40 HP)
Shovel capacity 0.34 m³ / 0.40 m³

AR 50



Operating weight 3950 kg
Power 42 kW (57 HP)
Shovel capacity 0.70 m³

AR 60



Operating weight 4650 kg
Power 47.5 kW (65 HP)
Shovel capacity 0.85 m³

AR 65 Super



Operating weight 4800 kg
Power 51.3 kW (70 HP)
Shovel capacity 1.00 m³

AR 75



Operating weight 5600 kg
Power 56.9 kW (77 HP)
Shovel capacity 1.00 m³

AR 75 S



Operating weight 6000 kg
Power 56.9 kW (77 HP)
Shovel capacity 0.80 m³

AR 80



Operating weight 5750 kg
Power 59.5 kW (81 HP)
Shovel capacity 1.00 m³

AR 85



Operating weight 6700 kg
Power 65 kW (88 HP)
Shovel capacity 1.30 m³

AR 95/95 Super



Operating weight 7900 kg / 8100 kg
Power 74.9 kW (102 HP) / 92 kW (125 HP)
Shovel capacity 1.40 m³ / 1.60 m³

Technical data without engagement. Subject to change without notice.

F. Weyhausen AG & Co. KG
Maschinenfabrik
Visbeker Straße 35
D-27793 Wildeshausen
Telephone +49 (0)44 31/981-0
Fax +49 (0)44 31/981-225
www.radlader.com

ATLAS
WEYHAUSEN