

ATLAS Teamwork

AR 60



- Landscaping, construction trade, recycling, material handling, agriculture
- Operating weight: 4650 kg
- Power: 47.5 kW

ATLAS
WEYHAUSEN

TECHNICAL DATA AR 60



Engine

Make: Deutz Diesel engine TD 2009 L04
 Type: water cooled
 Power^{**}: set to 47.5 kW (65 hp)
 at 2500 min⁻¹
 Max. torque: 203 Nm at 2000 min⁻¹
 Stroke: 2290 cm³
 Cylinders: 4 in line
 Electrical System: Operating voltage 12 V
 Battery 12 V/88 Ah
 Alternator 14 V/50 A
 Starter 12 V/2,0 kW



Drive

- Output regulated hydrostatic drive with pressure cut of and closed circuit acting on all 4 wheels
- Speed with standard tires:
 Operating speed range 0–6,5 km/h
 Road speed range 0–20 km/h
- 1st and 2nd hydraulic gears can be engaged under load, forward/backward travel also
- Forward/backward travel, speed ranges and off-position operational via ATLAS joystick
- Drive operated by accelerator and separate inching pedal for best distribution of the hydraulic power for thrust and lifting forces



Axles

Rigid axles with planetary reduction gears in wheel hubs, connecting electrically 100% - differential lock in front and rear axle.



Brakes

Standard brake: Drum brake on front axle via cardan acting on all 4 wheels. Supplementary brake functions via inching pedal and hydrostatic drive acting on all 4 wheels.
Parking brake: Drum brake via funicular link acting on all 4 wheels with engine switch off.



Steering

- Fully hydraulic center pivot steering
- Front and rear wheels follow the same track
- Steering angle of 40° to each side, ±12° angular movement at rear of vehicle
- Operation pressure of steering hydraulics 175 bar
- Emergency steering function



Hydraulic system

- Gear pump for loading and steering hydraulics
- Priority valve favoring steering hydraulics
- 3rd steering section for loading hydraulics mechanically controlled by ATLAS joystick, including float position
- Operating pressure 265 bar
 Delivery of pump 55 l/min



Loading equipment

- Powerful and solid Z – kinematics with high tear out force
- Hydraulic quick change device
- Activation of all functions via ATLAS joystick
- Parallel movement while using pallet forks
- Automatic mid position of joystick
- Automatic shovel return to excavation position
- Locking device acc. to German StVZO for road travel

Lifting	5,3 s
Lowering	4 s
Tipping	1,5 s



Standard equipment

- Rear driving mirrors, foldable
- Heatable rear screen
- Access left side, right window to open can be fastened
- Single lever operation via ATLAS joystick
- Control lights for speed, forward/backward travel
- Lights acc. to German StVZO for road travel
- Individually adjustable driver's seat
- Hot water heating with heat exchange and 3-stage fan
- Front screen ventilation, variable output
- Sound absorbing ROPS cab
- Windscreen wipe and wash unit in front and rear
- Sun visor, ceiling light, stow facility
- Heat protecting glazing with large tinted screens
- Warning lights for engine oil pressure, overheating, hydraulic oil temperature, battery power, parking brake, air filter
- Central dashboard with indicator for preheating, fuel, working hour meter



Options

- Main battery switch
- Special colors and oils
- Cyclone dust separator
- Load check valve for lifting and working cylinders
- Trailer coupling
- Working lights front and rear
- Anti-theft-device with code stick
- Radio
- Warning beacon

More options upon request



Tires

Standard:

12.5 – 18 MPT – Multi-purpose tires for sand and gravel surfaces, woodland, roads and path

Special tires:

12.5 – 20 MPT – Multi-purpose tires for sand and gravel surfaces, woodland, roads and paths
 405/70 R18 SPT9 – Construction machine tires for clay, sand, gravel, asphalt, roads, gardening and landscaping
 400/70 R 20 XMCL – Wheel loader tires for clay, sand, gravel, fields and greenland, fortified roads
 335/80 R20 EM – Construction machine tires for clay, sand, gravel, asphalt, sand, gravel, gardening and landscaping
 15.5/55 R18 – Construction machine tires for clay, sand, gravel, broken stone and fortified roads

More special tires upon request



Fuel/oil capacities

Diesel:	61,5 l
Hydraulic oil:	60 l
Engine oil:	10 l
Front axle:	5 l
Rear axle:	5,8 l
Gear oil:	2,5 l
Cooling liquid:	5,2 l



Operating data

Shovel capacity acc. to SAE:	0,85 m ³
Track width:	1330 mm
Turning radius (outer shovel edge):	3977 mm
Tear out force:	5160 daN
Torque:	4250 daN
Tipping load, straight:	3625 kg
Tipping load, articulated:	3200 kg
Lifting capacity at ground level:	4650 daN
Service weight:	4650 kg

Differing data for use of pallet forks (500 mm distance to center of gravity)*

Static tipping load, straight and articulated:	2671 kg
Lifting capacity:	2845 daN
Payload 80% even surface ^{**} :	2137 kg
Payload 60% uneven surface ^{**} :	1602 kg

* Travel with load only permitted close to the ground.

** According to ISO 8313 and EN 474-3.

*** According to ISO 14396, EU RL97/68/EC.

Specific gravity for material handling

material	weight (t/m ³)
Construction	
concrete	1,9
soil (dry)	1,5
soil (watery)	2,0
rock (fill)	2,4
granite	1,8
limestone	1,6
gravel (dry)	1,9
gravel (watery)	2,1
loam	1,7
plaster	2,2
sand (dry)	1,9
sand (watery)	2,1
sandstone	2,4
shale	2,2
sediment	2,1
crushed stone	1,5
de-icing salt	1,3
clay	1,6
cement	1,7
clinker (stacked)	1,8

Industry

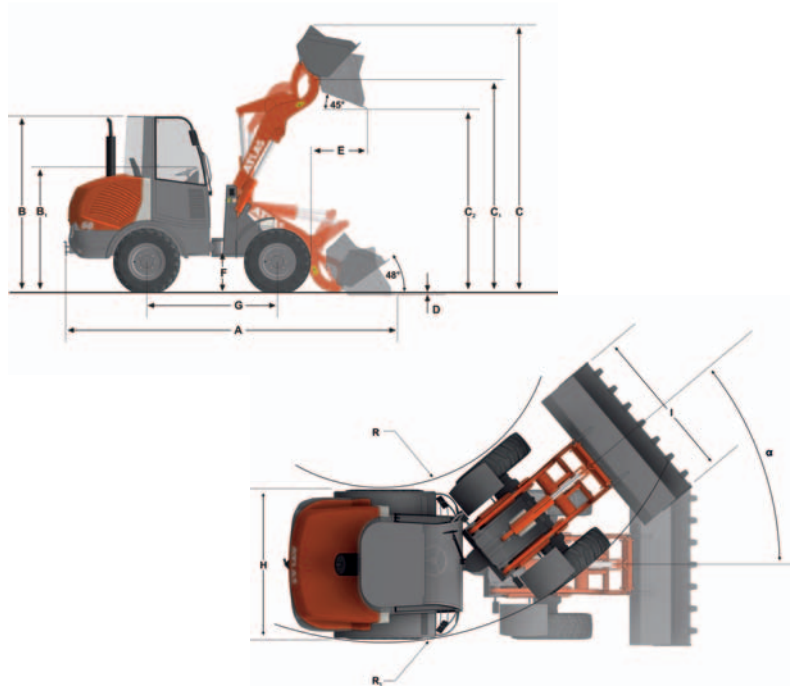
ember	0,7
brown coal briquette	0,8
ferrous product	7,8
iron ore	2,3
cullet	1,9
gas coke	0,4
timber	0,8
mineral coal	1,2
paper	0,9
slag	1,0
slag concrete	2,7

Landscaping, agriculture

agricultural crop	0,7
grain	0,6
hay	0,3
potash	1,1
compost	1,0
flour	0,5
clay (watery)	2,3
phosphate fertilizer	2,2
turf (watery)	1,1
turf (dry)	0,4
mineral fertiliser	1,0

Technical data with standard shovel.

AR 60	
A	5250
B	2475
B ₁	1765
C	3930
C ₁	3130
C ₂	2475
D	85
E	670
F	440
G	2000
H	1650
I	1800
R	1907
R ₁	3622
All specifications in mm	
α	40°



Technical data with pallet forks.

AR 60	
A	5540
B	2475
B ₁	1765
C	3380
C ₁	2925
C ₂	1315
D	70
E	430
E ₁	1200
E ₂	750
F	440
G	2000
H	1650
I	1030
R	1907
R ₁	3622
All specifications in mm	
α	40°

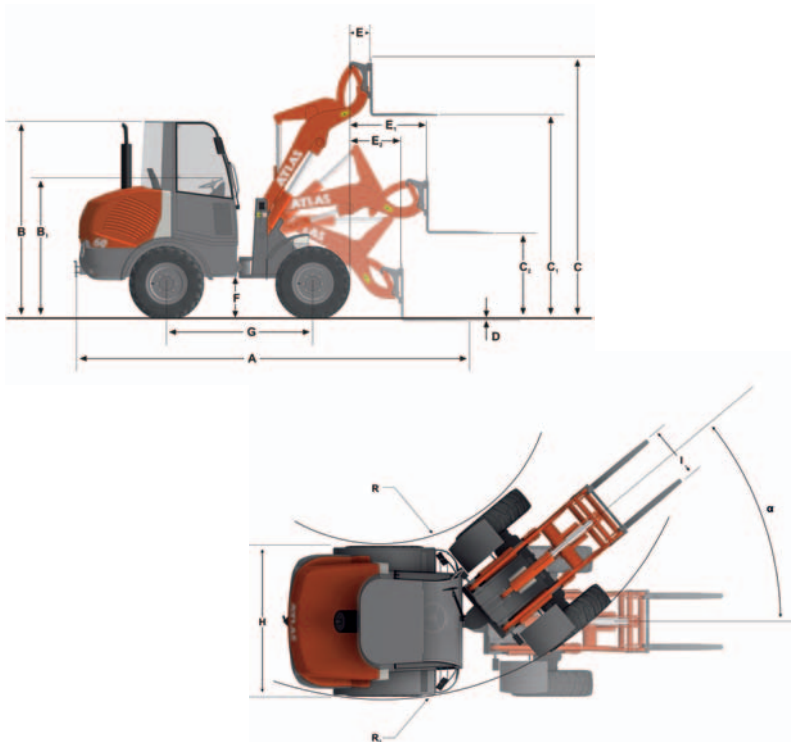
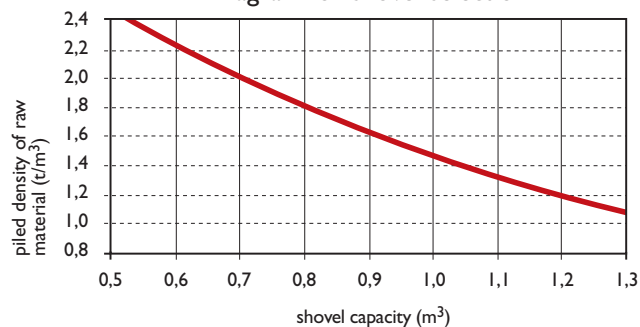


Diagram for shovel selection



ATLAS Teamwork

AR 35/35 Super



Operating weight 2500 kg / 2875 kg
Power 24.6 kW (33.5 HP) / 29.4 kW (40 HP)
Shovel capacity 0.34 m³ / 0.40 m³

AR 50



Operating weight 3950 kg
Power 42 kW (57 HP)
Shovel capacity 0.70 m³

AR 60



Operating weight 4650 kg
Power 47.5 kW (65 HP)
Shovel capacity 0.85 m³

AR 65 Super



Operating weight 4800 kg
Power 51.3 kW (70 HP)
Shovel capacity 1.00 m³

AR 75



Operating weight 5600 kg
Power 56.9 kW (77 HP)
Shovel capacity 1.00 m³

AR 75 S



Operating weight 6000 kg
Power 56.9 kW (77 HP)
Shovel capacity 0.80 m³

AR 80



Operating weight 5750 kg
Power 59.5 kW (81 HP)
Shovel capacity 1.00 m³

AR 85



Operating weight 6700 kg
Power 65 kW (88 HP)
Shovel capacity 1.30 m³

AR 95/95 Super



Operating weight 7900 kg / 8100 kg
Power 74.9 kW (102 HP) / 92 kW (125 HP)
Shovel capacity 1.40 m³ / 1.60 m³

Technical data without engagement. Subject to change without notice.

F. Weyhausen AG & Co. KG
Maschinenfabrik
Visbeker Straße 35
D-27793 Wildeshausen
Telephone +49 (0)44 31/981-0
Fax +49 (0)44 31/981-225
www.radlader.com

ATLAS
WEYHAUSEN