

# ATLAS Teamwork

AR 50



- Landscaping, construction trade, recycling, material handling, agriculture
- Operating weight: 3950 kg
- Power: 42 kW

**ATLAS**  
WEYHAUSEN

## TECHNICAL DATA AR 50



### Engine

Make: Deutz Diesel engine TD 2009 L04  
 Type: water cooled  
 Power<sup>\*\*\*</sup>: set to 42 kW (57 hp)  
 at 2200 min<sup>-1</sup>  
 Max. torque: 200 Nm at 1500 min<sup>-1</sup>  
 Stroke: 2290 cm<sup>3</sup>  
 Cylinders: 4 in line  
 Electrical System: Operating voltage 12 V  
 Battery 12 V/88 Ah  
 Alternator 14 V/50 A  
 Starter 12 V/2,0 kW



### Drive

- Output regulated hydrostatic drive with pressure cut off and closed circuit acting on all 4 wheels
- Speed with standard tires:
- Operating speed range 0–6,5 km/h
- Road speed range 0–20 km/h
- 1<sup>st</sup> and 2<sup>nd</sup> hydraulic gear can be engaged under load, forward/backward travel also
- Forward/backward travel, speed ranges and off-position operational via ATLAS joystick
- Drive operated by accelerator and separate inching pedal for best distribution of the hydraulic power for thrust and lifting



### Axles

Rigid axles with planetary reduction gears in wheel hubs, connecting electrically 100% - differential lock in front and rear axle.



### Brakes

**Standard brake:** Drum brake on front axle via cardan acting on all 4 wheels. Supplementary brake functions via inching pedal and hydrostatic drive acting on all 4 wheels.

**Parking brake:** Drum brake via funicular link acting on all 4 wheels with engine switch off.



### Steering

- Fully hydraulic center pivot steering
- Front and rear wheels follow the same track
- Steering angle 40° to each side, ±12° angular movement at rear of vehicle
- Operating pressure of steering hydraulics 175 bar
- Emergency steering function



### Hydraulic system

- Hydraulic system
- Gear pump for loading and steering hydraulics
- Priority valve favoring steering hydraulics
- 3<sup>rd</sup> steering section for loading hydraulics mechanically controlled by ATLAS joystick, including float position
- Operating pressure 230 bar  
 Delivery of pump 55 l/min



### Loading equipment

- Loading equipment
- Powerful and solid parallel-kinematics
- Hydraulic quick change device
- Activation of all functions by ATLAS joystick
- Automatic mid position of joystick
- Parallel movement while using pallet forks
- Automatic shovel return to excavation position
- Locking device acc. to German StVZO for road travel

Lifting	5 s
Lowering	4 s
Tipping	1,5 s



### Standard equipment

- Rear driving mirrors, foldable
- Heatable rear screen
- Access left side, right window to open can be fastened
- Single lever operation via ATLAS joystick
- Control lights for speed, forward/backward travel
- Lights acc. to German StVZO for road travel
- Individually adjustable driver's seat
- Hot water heating with heat exchange and 3-stage fan
- Front windscreen ventilation, variable output
- Sound absorbing ROPS cab
- Windscreen wipe and wash unit in front and rear
- Sun visor, ceiling lamp, stow facility
- Heat protection glazing with large tinted screens
- Control lights for engine oil pressure, overheating, hydraulic oil temperature, battery power, parking brake, air filter
- Central dashboard with indicator for preheating, fuel, working hour meter



### Options

- Main battery switch
- Special colors and oils
- Cyclone dust separator
- Load check valve for lifting and working cylinders
- Trailer coupling
- Working lights front and rear
- Anti-theft-device with code stick
- Radio
- Warning beacon

More options upon request



### Tires

#### Standard:

12.5 – 18 MPT – Multi-purpose tires for sand and gravel surfaces, woodland, roads and paths

#### Special tires:

12.5 – 20 MPT – Multi-purpose tires for sand and gravel surfaces, woodland, roads and paths

405/70 R18 SPT9 – Construction machine tires for clay, sand, gravel, asphalt, roads, gardening and landscaping

400/70 R 20 XMCL – Wheel loader tires for clay, sand, gravel, fields and greenland, fortified roads

335/80 R20 EM – Construction machine tires for clay, sand, gravel, asphalt, roads, gardening and landscaping

15.5/55 R18 – Construction machine tires for clay, sand, gravel, broken stone and fortified roads

More special tires upon request



### Fuel/oil capacities

Diesel:	61,5 l
Hydraulic oil:	60 l
Engine oil:	10 l
Front axle:	5 l
Rear axle:	5,8 l
Gear oil:	2,5 l
Cooling liquid:	4,5 l



### Operating data

Shovel capacity acc. to SAE:	0,7 m <sup>3</sup>
Track width:	1330 mm
Turning radius (outer shovel edge):	3977 mm
Tear out force:	4000 daN
Torque:	3800 daN
Tipping load, straight:	3080 kg
Tipping load, articulated:	2710 kg
Lifting capacity at ground level:	3400 daN
Service weight:	3950 kg

Differing data for use of pallet forks (500 mm distance to center of gravity)\*

Static tipping load, straight and articulated:	2139 kg
Lifting capacity:	2700 daN
Payload 80% even surface <sup>**</sup> :	1711 kg
Payload 60% uneven surface <sup>**</sup> :	1283 kg

\* Travel with load only permitted close to the ground.

\*\* According to ISO 8313 and EN 474-3.

\*\*\* According to ISO 14396, EU RL97/68/EC.

### Specific gravity for material handling

material	weight (t/m <sup>3</sup> )
<b>Construction</b>	
concrete	1,9
soil (dry)	1,5
soil (watery)	2,0
rock (fill)	2,4
granite	1,8
limestone	1,6
gravel (dry)	1,9
gravel (watery)	2,1
loam	1,7
plaster	2,2
sand (dry)	1,9
sand (watery)	2,1
sandstone	2,4
shale	2,2
sediment	2,1
crushed stone	1,5
de-icing salt	1,3
clay	1,6
cement	1,7
clinker (stacked)	1,8

### Industry

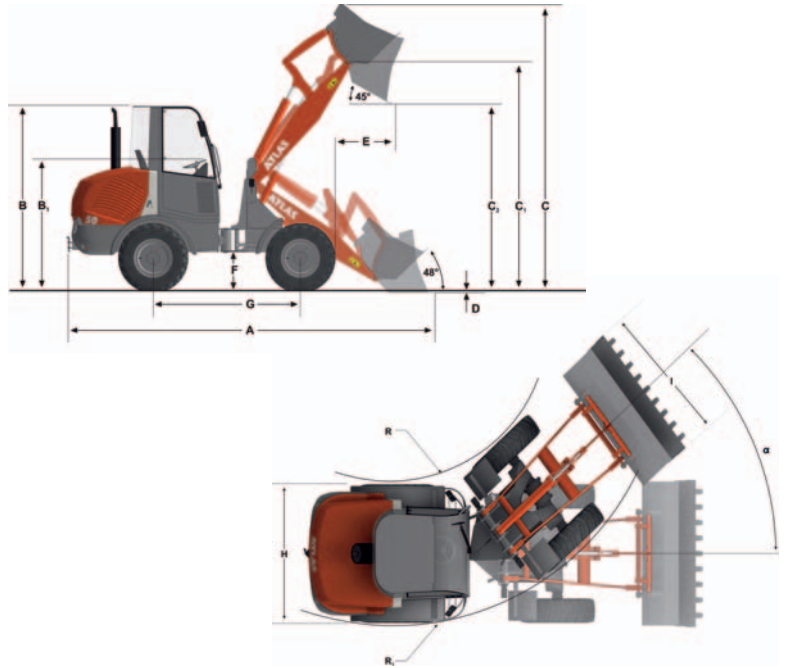
ember	0,7
brown coal briquette	0,8
ferrous product	7,8
iron ore	2,3
cullet	1,9
gas coke	0,4
timber	0,8
mineral coal	1,2
paper	0,9
slag	1,0
slag concrete	2,7

### Landscaping, agriculture

agricultural crop	0,7
grain	0,6
hay	0,3
potash	1,1
compost	1,0
flour	0,5
clay (watery)	2,3
phosphate fertilizer	2,2
turf (watery)	1,1
turf (dry)	0,4
mineral fertiliser	1,0

## Technical data with standard shovel.

AR 50	
A	5140
B	2487
B <sub>1</sub>	1762
C	4105
C <sub>1</sub>	3270
C <sub>2</sub>	2550
D	88
E	340
F	440
G	1988
H	1650
I	1650
R	1907
R <sub>1</sub>	3622
All specifications in mm	
α	40°



## Technical data with pallet forks.

AR 50	
A	5555
B	2487
B <sub>1</sub>	1762
C	3510
C <sub>1</sub>	3060
C <sub>2</sub>	1340
D	71
E	160
E <sub>1</sub>	1110
E <sub>2</sub>	655
F	440
G	1988
H	1650
I	1030
R	1907
R <sub>1</sub>	3622
All specifications in mm	
α	40°

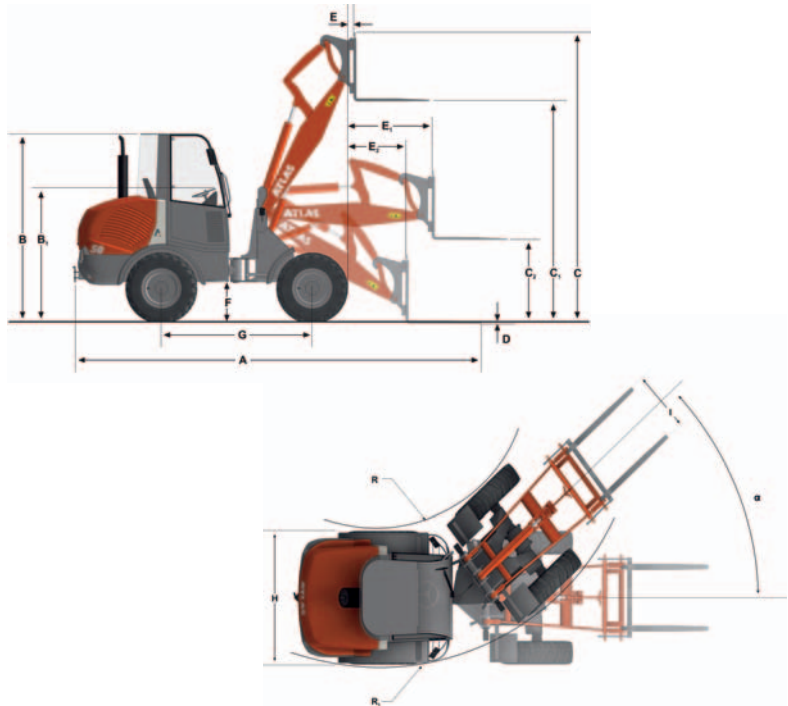
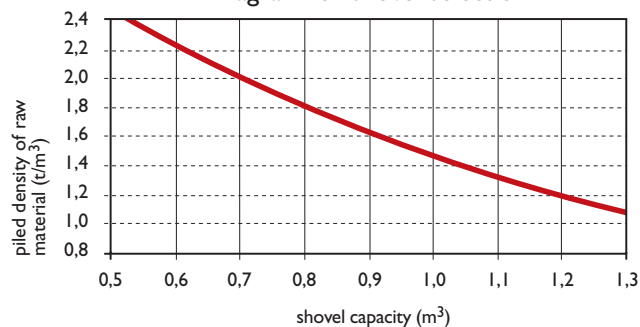


Diagram for shovel selection



# ATLAS Teamwork

## AR 35/35 Super



Operating weight 2500 kg / 2875 kg  
Power 24.6 kW (33.5 HP) / 29.4 kW (40 HP)  
Shovel capacity 0.34 m<sup>3</sup> / 0.40 m<sup>3</sup>

## AR 50



Operating weight 3950 kg  
Power 42 kW (57 HP)  
Shovel capacity 0.70 m<sup>3</sup>

## AR 60



Operating weight 4650 kg  
Power 47.5 kW (65 HP)  
Shovel capacity 0.85 m<sup>3</sup>

## AR 65 Super



Operating weight 4800 kg  
Power 51.3 kW (70 HP)  
Shovel capacity 1.00 m<sup>3</sup>

## AR 75



Operating weight 5600 kg  
Power 56.9 kW (77 HP)  
Shovel capacity 1.00 m<sup>3</sup>

## AR 75 S



Operating weight 6000 kg  
Power 56.9 kW (77 HP)  
Shovel capacity 0.80 m<sup>3</sup>

## AR 80



Operating weight 5750 kg  
Power 59.5 kW (81 HP)  
Shovel capacity 1.00 m<sup>3</sup>

## AR 85



Operating weight 6700 kg  
Power 65 kW (88 HP)  
Shovel capacity 1.30 m<sup>3</sup>

## AR 95/95 Super



Operating weight 7900 kg / 8100 kg  
Power 74.9 kW (102 HP) / 92 kW (125 HP)  
Shovel capacity 1.40 m<sup>3</sup> / 1.60 m<sup>3</sup>

Technical data without engagement. Subject to change without notice.

F. Weyhausen AG & Co. KG  
Maschinenfabrik  
Visbeker Straße 35  
D-27793 Wildeshausen  
Telephone +49 (0)44 31/981-0  
Fax +49 (0)44 31/981-225  
www.radlader.com

**ATLAS**  
WEYHAUSEN